

## ProThermetic Sprint

### Electric Tilting Boiling Pan, 100lt Hygienic Profile, Freestanding with Stirrer

ITEM # \_\_\_\_\_

MODEL # \_\_\_\_\_

NAME # \_\_\_\_\_

SIS # \_\_\_\_\_

AIA # \_\_\_\_\_


**586916 (PBOTI0RCES)**

Electric tilting Boiling Pan prearranged for stirrer 100lt (h), auto. H/C water filling with swivelling arm, spray gun, rear closing kit, GuideYou Panel, freestanding

**586941 (PBOTI0RLES)**

Electric tilting Boiling Pan prearranged for stirrer 100lt (h), splashback, auto. H/C water filling with swivelling arm, spray gun, rear closing kit, GuideYou Panel, freestanding

### Short Form Specification

**Item No.** \_\_\_\_\_

AISI 304 stainless steel construction. Deep drawn vessel in AISI 316 stainless steel. Insulated and counterbalanced lid. Motorized tilting with variable speed control. Pan can be tilted beyond 90° to completely empty the food. Stirrer drive shaft included, stirrer blades to be ordered separately. Fixed stirring rotation speed 25rpm. Food is uniformly heated via the base and the side walls by an indirect heating system using saturated steam at a maximum temperature of 125°C, generated in the double jacket, equipped with an automatic deaeration system. Safety valve avoids steam overpressure and safety thermostat protects against low water level in the double jacket.. TOUCH control panel. GuideYou Panel easily guides the user during multiphase recipes. Built in temperature sensors for precise control of cooking process. Machine configuration including swivel arm with automatic water filling, spray gun and rear closing panel. IPX6 water resistant. Installation: Free-standing or Standing against a wall. Installation options (not included): floor mounted on 200mm high feet or a plinth which can be either steel or masonry construction. Dedicated model equipped with splashback as standard. Connectivity available.

### Main Features

- Kettle is suitable to boil, steam, poach, pan fry or simmer all kinds of produce.
- Delivered with:
  - swivel arm with automatic hot/cold water filling
  - spray gun
  - rear closing panel
  - C-board (backsplash for the relevant model)
- Motorized, variable pan tilting with "SOFT STOP". Tilting and pouring speeds can be precisely adjusted. Pan can be tilted over 90° to facilitate pouring and cleaning operations.
- Kettle is jacketed up to 159 mm from upper rim.
- Built in temperature sensor to precisely control the cooking process.
- Ergonomic vessel dimensions, with a large diameter and shallow depth facilitates stirring and gentle food handling.
- Isolated upper well rim avoids risk of harm for the user.
- Edge of the large pouring lip can be equipped with a strainer (option).
- USB connection to easily update the software, upload/download recipes and download HACCP data.
- IPX6 water resistant.
- Max pressure of inner jacket at 1.7 bar; minimum working pressure at 1 bar. Allows temperature control between 50 and 110°C.

### Construction

- Cooking vessel in 1.4435 (AISI 316L) stainless steel featuring directional pouring lip. Double-jacket in 1.4404 (AISI 316L) stainless steel designed to operate at a pressure of 1.5 bar.
- External panelling and internal frame made of 1.4301 (AISI 304) stainless steel.
- Minimised presence of narrow gaps for easier cleaning of the sides to meet the highest hygiene standards.
- Double-lined insulated lid in 1.4301 (AISI 304) stainless steel mounted on the cross beam of the unit, counterbalanced by a hinge that remains open in all positions.
- Highly-visible and bright led TOUCH control panel features user-friendly icons and intuitive self-explanatory command options. Display visualizes:
  - Actual and set temperature
  - Set and remaining cooking time
  - Pre-heating phase (if activated)
  - GuideYou Panel (if activated)
  - Deferred start
  - Soft Function to reach the target temperature smoothly
    - 9 Power Control levels from simmering to fierce boiling
    - Pressure mode (in pressure models)
    - Stirrer ON/OFF settings (in round boiling models)
    - Error codes for quick trouble-shooting
    - Maintenance reminders
- Possibility to store recipes in single or multiphase cooking process, with different temperature settings.

**APPROVAL:** \_\_\_\_\_

- GuideYou Panel - activated by the user via settings – to easily follow the multiphase recipes, granting a proper and controlled cooking and a better appliance optimization.  
The system will provide maintenance reminders, in line with ESSENTIA program, helping the user to properly take care of the product, avoiding downtimes.
- Safety thermostat protects against low water level in the double jacket.
- Safety valve avoids overpressure of the steam in the double jacket.
- Can be prearranged for energy optimisation or external surveillance systems (optional).
- Stirrer with rotation speed of 25 RPMs, available as optional accessory.
- 98% recyclable by weight; packaging material free of toxic substances.
- Power Socket, TYP23, built-in, 16A/230V, PNC 912471   
IP55, black - factory fitted
- Power Socket, TYP25, built-in, 16A/400V, PNC 912472   
IP55, black - factory fitted
- Manometer for tilting boiling pans - PNC 912490   
factory fitted
- Kit energy optimization and potential PNC 912737   
free contact - factory fitted
- Mainswitch 60A, 6mm<sup>2</sup> - factory fitted PNC 912740
- Food tap 2" for tilting boiling pans PNC 912779   
(PBOT) - factory fitted
- Connectivity kit for ProThermetic Boiling PNC 913577   
and Braising Pans ECAP - factory fitted

### User Interface & Data Management

- Connectivity ready, to connected appliances from remote via cable and data monitoring, including HACCP (requires optional accessory).

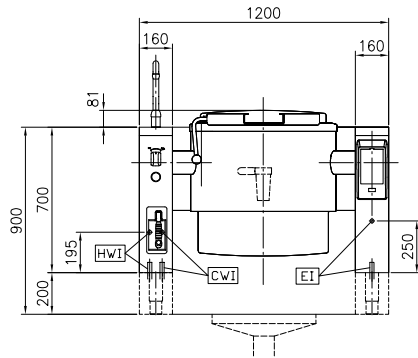
### Included Accessories

- 1 of C-board (length 1200mm) for PNC 912184  
tilting units - factory fitted (only for  
586941)
- 1 of Rear closing kit for tilting units - PNC 912704  
against wall - factory fitted
- 1 of Automatic water filling (hot and PNC 912735  
cold) for tilting units - to be ordered  
with water mixer - factory fitted
- 1 of Spray gun for tilting units - PNC 912776  
freestanding (height 700mm) -  
factory fitted
- 1 of Emergency stop button - factory PNC 912784  
fitted

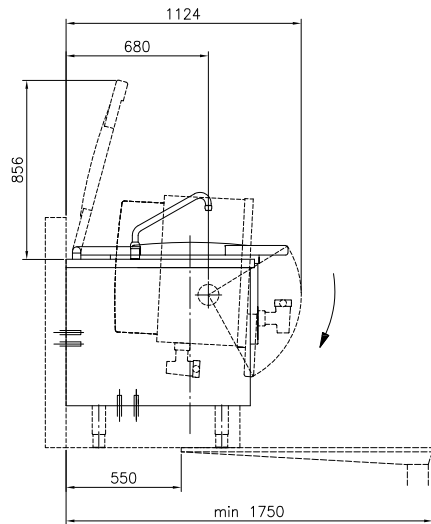
### Optional Accessories

- Strainer for 100lt tilting boiling pans PNC 910003
- Measuring rod for 100lt tilting boiling PNC 910044   
pans
- Grid stirrer for 100lt boiling pans PNC 910063
- Grid stirrer and scraper for 100lt PNC 910093   
boiling pans
- Food tap strainer rod for stationary PNC 910162   
round boiling pans
- Stainless steel plinth for tilting units - PNC 911425   
against wall - factory fitted
- Bottom plate with 2 feet, 200mm for PNC 911930   
tilting units (height 700mm) - factory  
fitted
- Food tap strainer for tilting boiling PNC 911966   
pans
- MOBILE KIT TxxT/PxxT (VAR.width=S- PNC 912460   
Code)
- Power Socket, CEE16, built-in, PNC 912468   
16A/400V, IP67, red-white - factory  
fitted
- Power Socket, CEE32, built-in, PNC 912469   
32A/400V, IP67, red-white - factory  
fitted
- Power Socket, SCHUKO, built-in, PNC 912470   
16A/230V, IP68, blue-white - factory  
fitted

Front

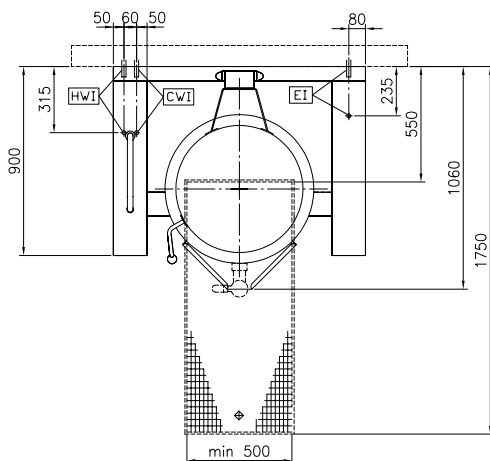


Side

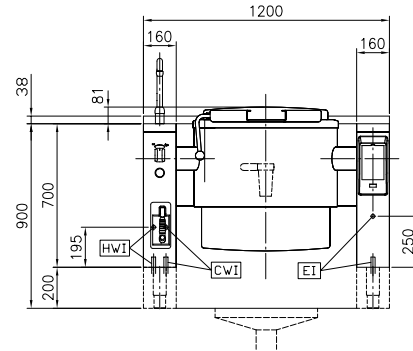


- CWI = Cold Water inlet 1 (cleaning)  
 EI = Electrical inlet (power)  
 HWI = Hot water inlet

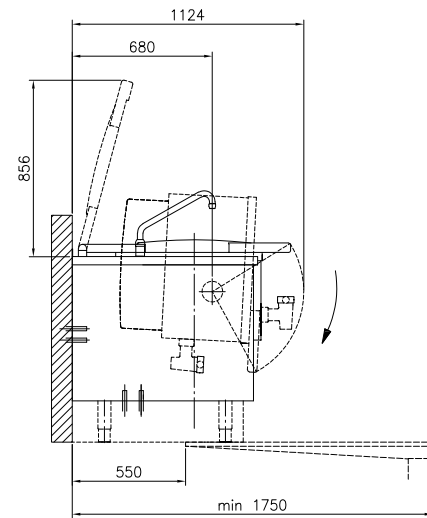
Top



Front

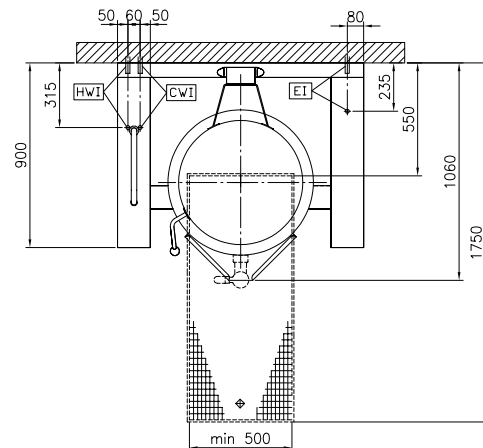


Side



- CWI = Cold Water inlet 1 (cleaning)  
 EI = Electrical inlet (power)  
 HWI = Hot water inlet

Top



**Electric**

Supply voltage: 400 V/3N ph/50/60 Hz  
Total Watts: 18.6 kW

**Installation:**

Type of installation: FS on concrete base;FS on feet;On base;Standing against wall

**Key Information:**

Working Temperature MIN: 50 °C  
Working Temperature MAX: 110 °C  
Vessel (round) diameter: 640 mm  
Vessel (round) depth: 395 mm  
External dimensions, Width: 1200 mm  
External dimensions, Depth: 900 mm  
External dimensions, Height: 700 mm  
Net weight: 210 kg  
Configuration: Round;Tilting;Pre-arranged for stirrer  
**586916 (PBOT10RCES)** Round;Tilting;Pre-arranged for stirrer;With splashback  
**586941 (PBOT10RLES)** Round;Tilting;Pre-arranged for stirrer;With splashback  
Net vessel useful capacity: 100 lt  
Tilting mechanism: Automatic  
Double jacketed lid: ✓  
Heating type: Indirect